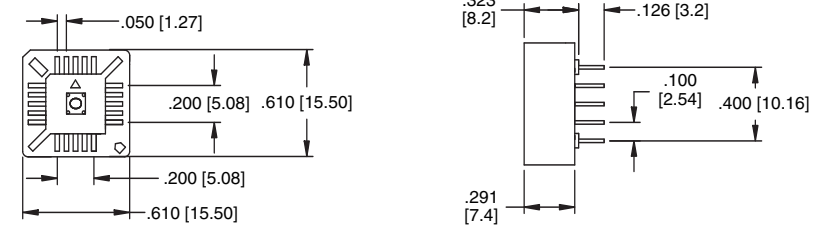
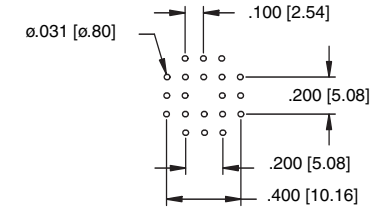
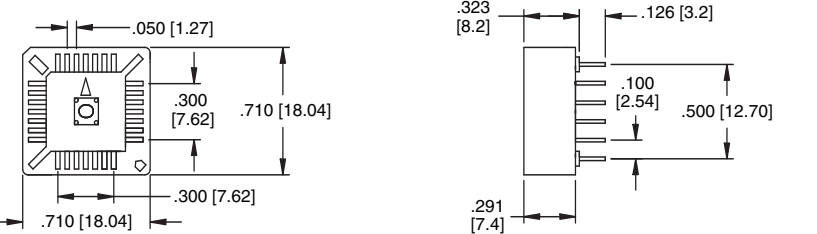
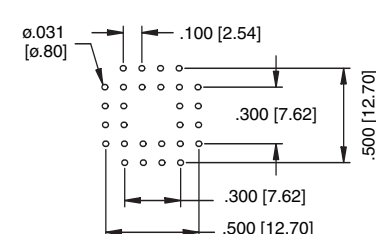
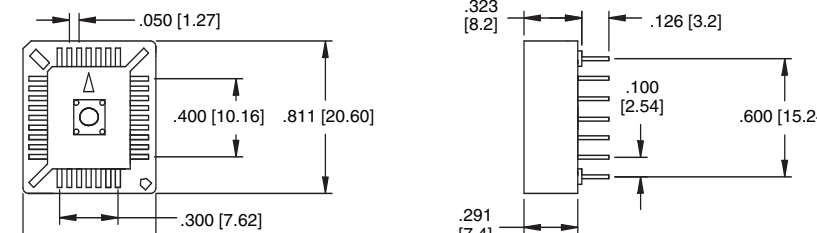
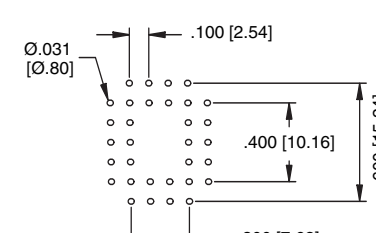
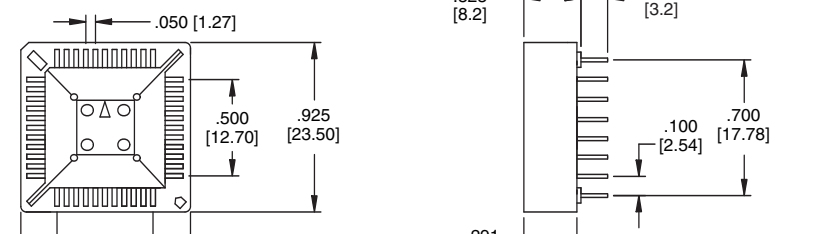
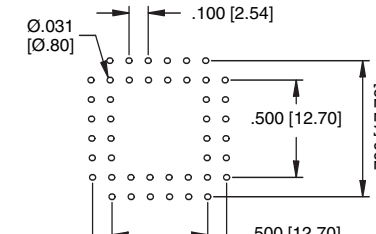
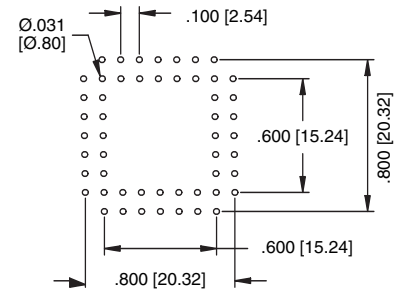
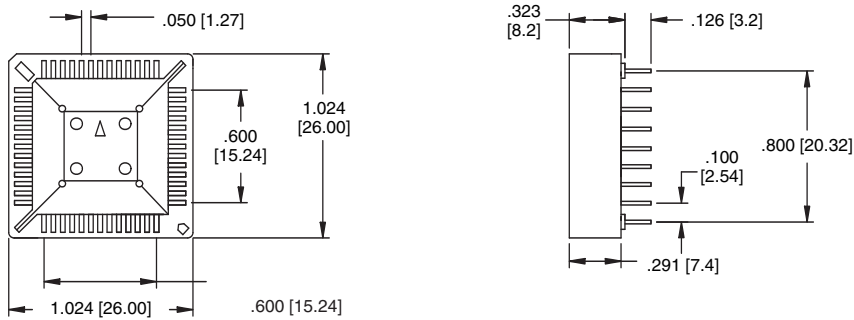


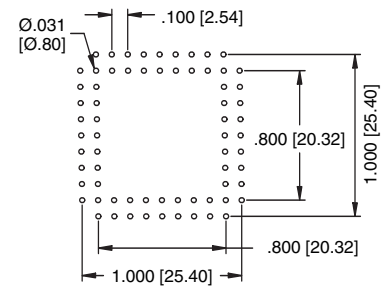
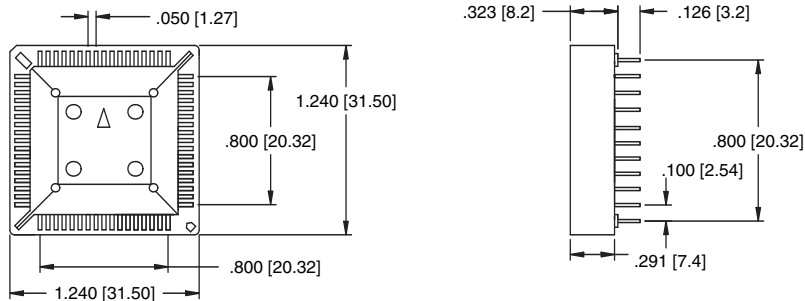
| | |
|--|--|
| <p>PLCC-20-AT</p>  |  <p>Recommended PCB Layout</p> |
| <p>PLCC-28-AT</p>  |  <p>Recommended PCB Layout</p> |
| <p>PLCC-32-AT</p>  |  <p>Recommended PCB Layout</p> |
| <p>PLCC-44-AT</p>  |  <p>Recommended PCB Layout</p> |

PLCC-52-AT



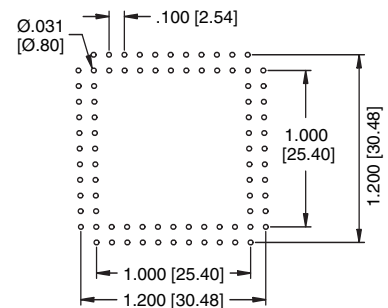
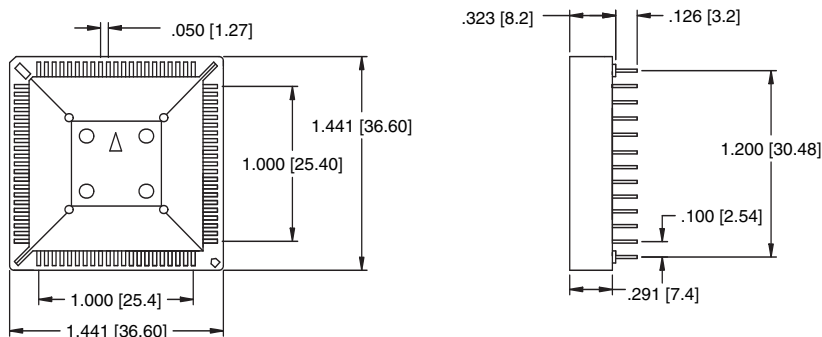
Recommended PCB Layout

PLCC-68-AT



Recommended PCB Layout

PLCC-84-AT



Recommended PCB Layout